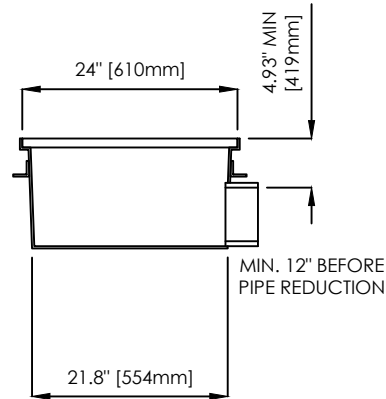
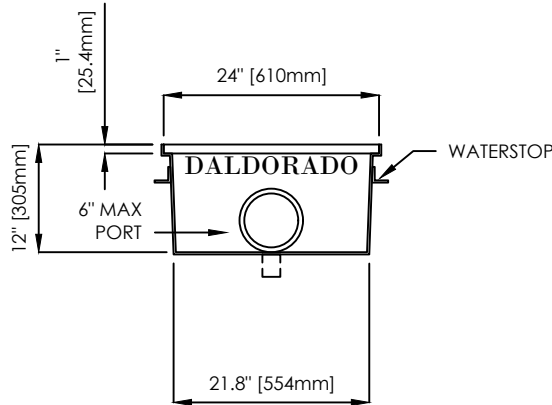
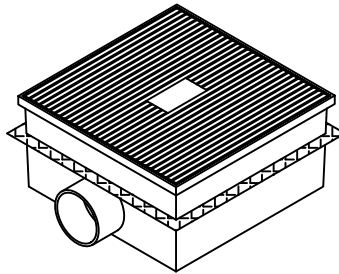
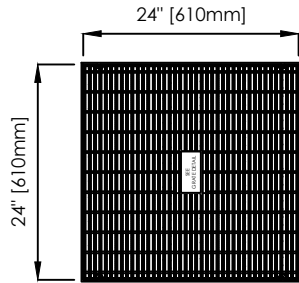


**CERTIFIED MAXIMUM FLOW RATE:
FLOOR-1,644 GPM WALL-N/A**

GRATE DETAIL



SUMP AND GRATE: UNIT IS CERTIFIED TO APSP-16 2017 AS A SOFA AND DOES NOT REQUIRE FURTHER CERTIFICATION. IT IS CORROSION RESISTANT, NON-CONDUCTIVE, NON-MAGNETIC, AND REQUIRES NO BONDING.

SUMP: FABRICATED WITH 8-OZ FIBERGLASS MAT AND WHITE MARINE GRADE GEL COAT (APPLIED INSIDE ONLY). A 1.5-IN FRP WATER STOP IS LOCATED 4-IN BELOW TOP LIP OF SUMP AROUND THE OUTSIDE PERIMETER. AN OPTIONAL 2-IN SCH-40 FEMALE THREADED ADAPTER IS AVAILABLE ON THE BOTTOM OF THE SUMP FOR HYDROSTATIC VALVE CONNECTION. THE MAXIMUM SIDE PORT SIZE IS 6-IN, MULTIPLE 6-IN OR SMALLER PORTS ARE PERMITTED TO BE MOUNTED ON THE SIDE. THE MINIMUM SUCTION PIPE OPENING LENGTH BEFORE SIZE REDUCTION IS 12-IN. THE CERTIFIED MAXIMUM FLOW RATE FOR THE SOFA MUST NOT BE EXCEEDED. "DALDORADO" IS STENCILED ON THE BODY, AND IDENTIFYING MARKS (DALDORADO, MODEL, LIFE, MANUFACTURE DATE) ARE IMPRINTED ON THE GRATE LEDGE.

PORTS MAY BE SCH-40 OR SCH-80, TYPE SLIP COUPLING OR THREADED FEMALE ADAPTER.

GRATE: ONE (1) 24-IN X 24-IN GRATE FORMED OF MOLDED PVC (GEORGIA GULF 7140 BY WESTLAKE CORP.) CERTIFIED TO NSF/ANSI 50, APSP-16 2017, AND UV STABILIZED. THE TOP SURFACE OF THE GRATE HAS A RAISED DESIGN THAT MEETS IBC FOR SLIP RESISTANCE. GRATE SECTIONS ARE 0.20-IN (5MM) WIDE AND 1-IN (25.4MM) AVG. DEPTH FOR LOAD STRENGTH REQUIREMENTS. SPACE BETWEEN GRATE BARS DOES NOT EXCEED 0.39-IN (10MM). GRATE PROVIDES A MINIMUM 62% OPEN AREA FOR UNRESTRICTED WATER FLOW. THE MANUFACTURE DATE IS MOLDED INTO THE FACEPLATE OF EACH GRATE.

INSTALLATION: FOLLOW DALDORADO SUPPLIED INSTALLATION INSTRUCTIONS AND WARNINGS. GRATE MUST BE INSTALLED WITHIN SUMP USING ONLY THE 316 SS 1/4"-20x1.25" MACHINE SCREWS (TESTED TO APSP-16 2017) AS SUPPLIED BY DALDORADO. NO OTHERS ARE PERMITTED.

MULTIPLE PORT CONFIGURATION MAXIMUM FLOW RATES PER PORT:
EACH 6-IN PORT: 1644 GPM
EACH 4-IN PORT: 715 GPM
EACH 3-IN PORT: 408 GPM
EACH 2-IN PORT: REFER TO AHJ CODES

SUMP LIFE: LIFE OF THE AQUATIC FACILITY
GRATES AND FASTENERS: 25 YEAR SERVICE LIFE/10 YEAR WARRANTY

DalMAX-SG-242412-06 OPTIONS		
TOTAL GPM	1644 FLOOR, N/A WALL	
PORT CONFIGURATIONS	ANY PER NOTES ABOVE	
PIPE SCHEDULE-PVC	40	80
MAX PORT SIZE, SIDE	6-IN	
OPTIONAL 2" FEMALE ADAPTER FOR HYDROSTATIC VALVE	YES	NO
GRATE COLOR	WHITE	
ANY P.O. SUBMITTAL MUST BE ATTACHED TO ORDER FORM		

All drawing are saved in a *.dwg format and are provided as a service to our customers; dimensions supplied by Daldorado are for reference only. Daldorado or any authorized distributor of our products will not be held responsible from files which have been converted and does not warranty the documents against deficiencies or typographical errors of any kind. All measurements of the actual product must be verified before any custom fabrication in the field occurs. COPYRIGHT: This document is the property of Daldorado, LLC and is provided on an in-confidence basis, it may not be copied or reproduced without the permission of Daldorado or its authorized agent.

Product: 24x24x12 Sump & Grate Package	
Product #: DalMAX-SG-242412-06	
Material: FG/PVC	Rev Date: 02/01/2021
Color: WHITE	Rev By: JW BERGER

DALDORADO

4327 Arnold Ave, Naples, FL 34104
 Phone: 888.509.8128
 www.daldorado.com