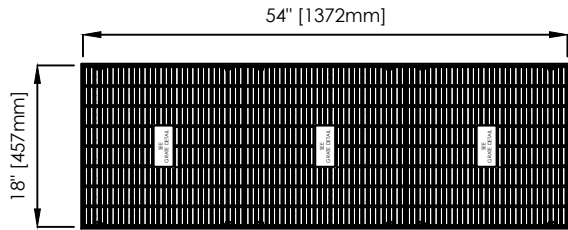
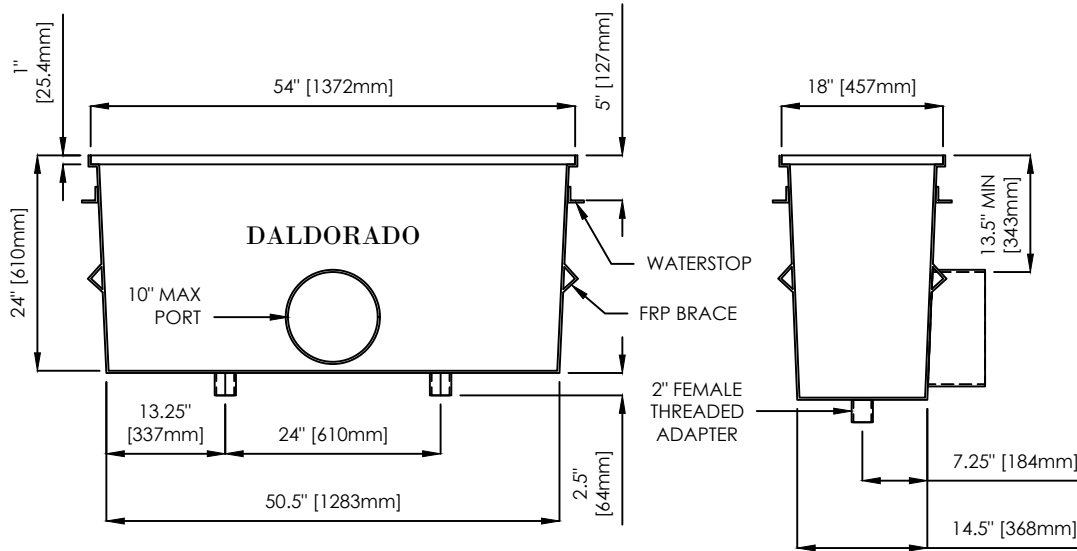
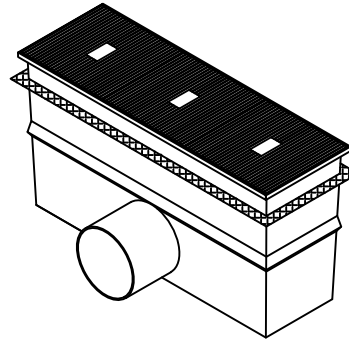


GRATE DETAIL



**CERTIFIED MAXIMUM FLOW RATE:  
FLOOR-2,872 GPM      WALL-2,872 GPM**



**SUMP LIFE: LIFE OF THE AQUATIC FACILITY  
GRATES AND FASTENERS: 25 YEAR SERVICE LIFE/10 YEAR WARRANTY**

All drawing are saved in a \*.dwg format and are provided as a service to our customers; dimensions supplied by Daldorado are for reference only. Daldorado or any authorized distributor of our products will not be held responsible from files which have been converted and does not warranty the documents against deficiencies or typographical errors of any kind. All measurements of the actual product must be verified before any custom fabrication in the field occurs. COPYRIGHT: This document is the property of Daldorado, LLC and is provided on an in-confidence basis, it may not be copied or reproduced without the permission of Daldorado or its authorized agent.

**SUMP AND GRATE:** UNIT IS CERTIFIED TO APSP-16 2017 AS A SOFA AND DOES NOT REQUIRE FURTHER CERTIFICATION. IT IS CORROSION RESISTANT, NON-CONDUCTIVE, NON-MAGNETIC, AND REQUIRES NO BONDING.

**SUMP:** FABRICATED WITH 8-OZ FIBERGLASS MAT AND WHITE MARINE GRADE GEL COAT (APPLIED INSIDE ONLY). A 1.5-IN FRP WATER STOP IS LOCATED 5-IN BELOW TOP LIP OF SUMP AND A 1.5-IN FRP BRACE IS APPLIED, BOTH AROUND THE OUTSIDE PERIMETER. TWO (2) 2-IN SCH-40 FEMALE THREADED ADAPTERS ARE INSTALLED STANDARD ON THE BOTTOM OF THE SUMP FOR HYDROSTATIC VALVE CONNECTION. THE FOLLOWING PORT CONFIGURATIONS ARE PERMITTED: 1) A SINGLE 10-IN PORT ON THE SIDE, OR 2) MULTIPLE PORTS OF ANY SIZE AND CONFIGURATION IF ALL PORT OPENING DEPTHS ARE  $\geq 16.5$ -IN. PORT SIZES  $> 10$ -IN ARE PERMITTED TO BE LOCATED ON THE BOTTOM. THE CERTIFIED MAXIMUM FLOW RATE FOR THE SOFA MUST NOT BE EXCEEDED. "DALDORADO" IS STENCILED ON THE BODY, AND IDENTIFYING MARKS (DALDORADO, MODEL, LIFE, MANUFACTURE DATE) ARE IMPRINTED ON THE GRATE LEDGE.

PORTS MAY BE SCH-40 OR SCH-80, TYPE SLIP COUPLING, THREADED FEMALE ADAPTER, OR FLANGE COUPLING.

**GRATE:** THREE (3) 18-IN x 18-IN GRATES FORMED OF MOLDED PVC (GEORGIA GULF 7140 BY WESTLAKE CORP.) CERTIFIED TO NSF/ANSI 50, APSP-16 2017, AND UV STABILIZED. THE TOP SURFACE OF THE GRATE HAS A RAISED DESIGN THAT MEETS IBC FOR SLIP RESISTANCE. GRATE SECTIONS ARE 0.20-IN (5MM) WIDE AND 1-IN (25.4MM) AVG. DEPTH FOR LOAD STRENGTH REQUIREMENTS. SPACE BETWEEN GRATE BARS DOES NOT EXCEED 0.39-IN (10-IN). GRATE PROVIDES A MINIMUM 62% OPEN AREA FOR UNRESTRICTED WATER FLOW. THE MANUFACTURE DATE IS MOLDED INTO THE FACEPLATE OF EACH GRATE.

**INSTALLATION:** FOLLOW DALDORADO SUPPLIED INSTALLATION INSTRUCTIONS AND WARNINGS. GRATE MUST BE INSTALLED WITHIN SUMP USING ONLY THE 316 SS  $\frac{1}{4}$ "-20x1.25" MACHINE SCREWS (TESTED TO APSP-16 2017) AS SUPPLIED BY DALDORADO. NO OTHERS ARE PERMITTED.

DalMAX-SG-185424 OPTIONS	
TOTAL GPM	2872 FLOOR, 2872 WALL
PORT CONFIGURATIONS	ANY PER NOTES ABOVE
PIPE SCHEDULE-PVC	40      80
MAX PORT SIZE, SIDE	10-IN
MAX PORT SIZE, BOTTOM	24-IN
GRATE COLOR	WHITE
ANY P.O. SUBMITTAL MUST BE ATTACHED TO ORDER FORM	

Product: 18x54x24 Sump & Grate Package

Product #: DalMAX-SG-185424

Material: FG/PVC      Rev Date: 02/01/2021

Color: WHITE      Rev By: JW BERGER

**DALDORADO**

4327 Arnold Ave, Naples, FL 34104  
Phone: 888.509.8128  
www.daldorado.com