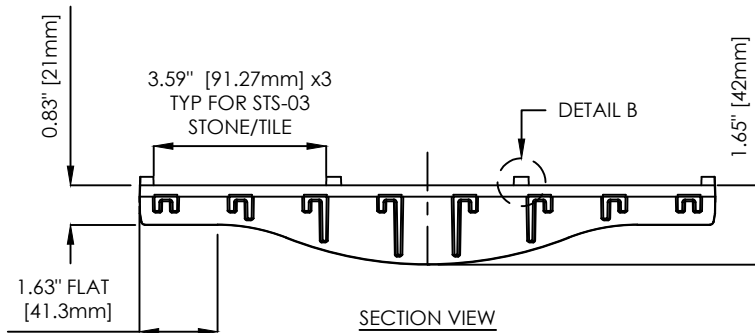
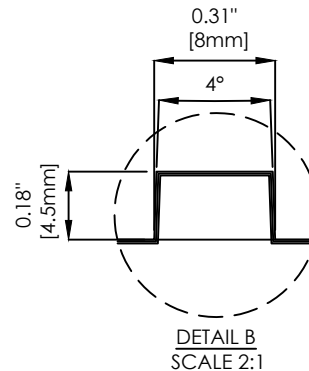


PLAN VIEW



SECTION VIEW

ACROSS GUTTER



DETAIL B
SCALE 2:1

DalLUX STONE AND TILE SUPPORTS: ALL COMPONENTS ARE CORROSION RESISTANT, NON-CONDUCTIVE, NON-MAGNETIC, AND DO NOT REQUIRE BONDING. THE DALDOARDO DalLUX SUPPORTS ARE PROVIDED IN 12-IN UNIT LENGTHS AND 12-IN WIDTHS. THE SUPPORTS ARE FORMED OF MOLDED PVC (GEORGIA Gulf 7140 BY WESTLAKE CORP.), MODULAR INTERLOCKING SECTIONS CERTIFIED WITH NSF/ANSI 50, UV STABILIZED.

ENTRAPMENT: SLOT OPENINGS DO NOT EXCEED 0.315-INCH (8MM) AND COMPLY WITH IBC CHILD FINGER AND TOE ENTRAPMENT GUIDELINES.

LOAD: CERTIFIED LOAD CLASSIFICATIONS UNDER IBC STANDARD AS 3996 CLASS, "A" AS OVER 10kN (=2,248-LBS-FORCE) FOR GRATES AND COVERS.

CORNERS: CORNERS ARE FABRICATED AND SUPPLIED IN 45-DEG, 90-DEG AND SPECIAL-ORDER CORNERS TO PROJECT REQUIREMENTS.

COLOR: GRATE IS PROVIDED IN BLACK ONLY.

OPEN AREA: 10.5%, FLOW RATE = 141 GPM

DalLUX STONE AND TILE SUPPORTS - DalLUX-STS-03-BK	
LINEAL FEET	
# 90-DEG CORNERS (OUTSIDE)	
# 90-DEG CORNERS (INSIDE)	
# SPECIAL CORNERS	
SLOPE IF APPLICABLE	YES:
GRATING COLOR	BLACK
*WRITE IN OR CIRCLE APPLICABLE INFORMATION	

All drawing are saved in a *.dwg format and are provided as a service to our customers; dimensions supplied by Daldorado are for reference only. Daldorado or any authorized distributor of our products will not be held responsible from files which have been converted and does not warranty the documents against deficiencies or typographical errors of any kind. All measurements of the actual product must be verified before any custom fabrication in the field occurs. COPYRIGHT: This document is the property of Daldorado, LLC and is provided on an in-confidence basis, it may not be copied or reproduced without the permission of Daldorado or its authorized agent.

Product: DalLUX Stone and Tile Support	
Product #: DalLUX-STS-03-BK	
Material: PVC	Rev Date: 02/02/2021
Color: BLACK	Rev By: JW BERGER

DALDORADO

4327 Arnold Ave, Naples, FL 34104
Phone: 888.509.8128
www.daldorado.com