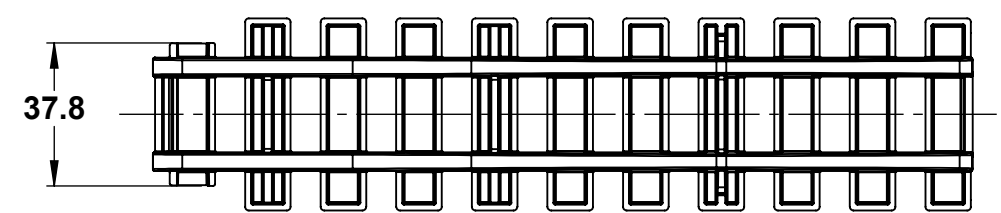
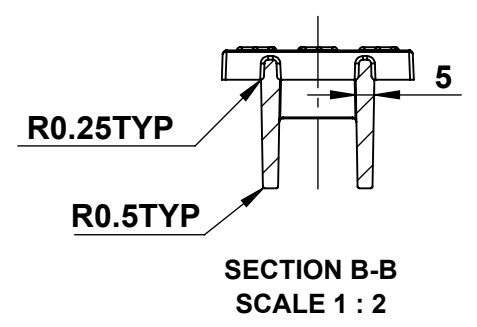
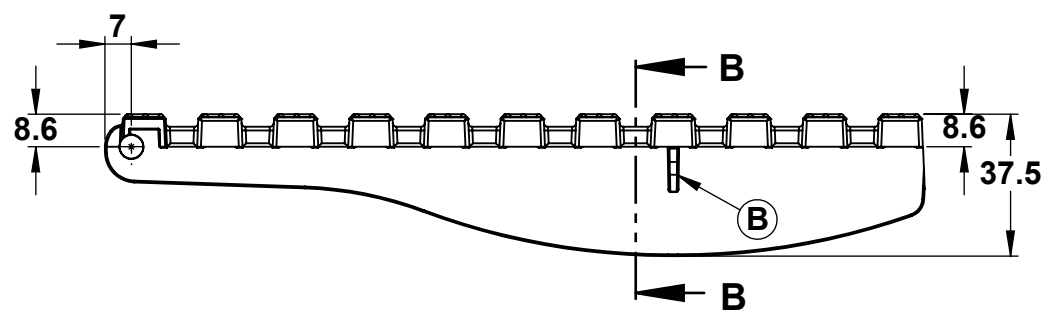
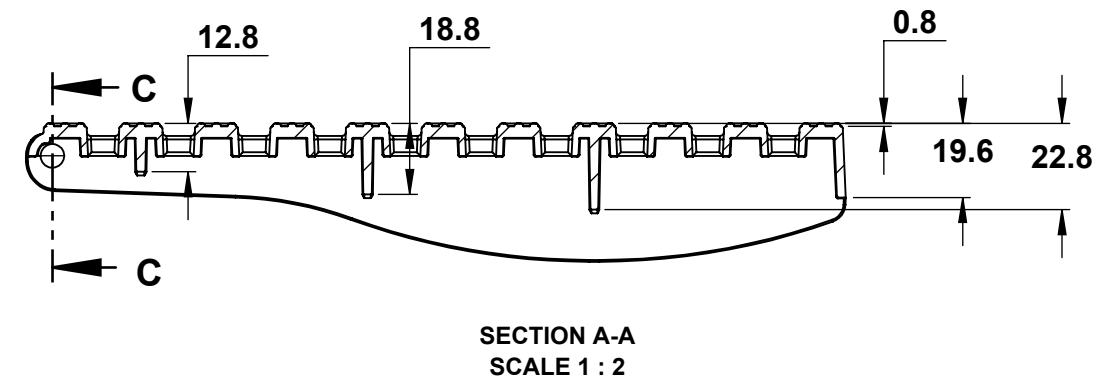
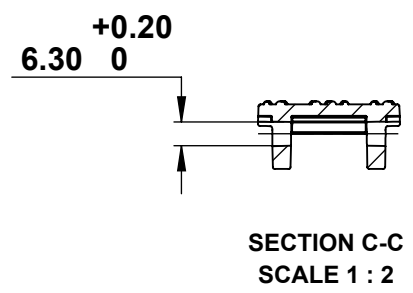
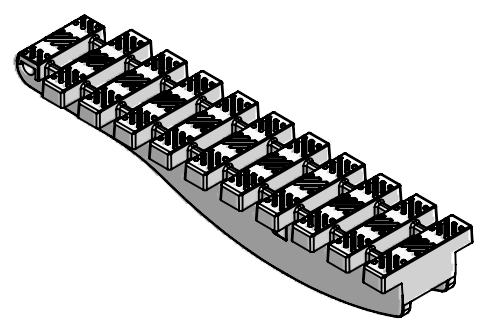
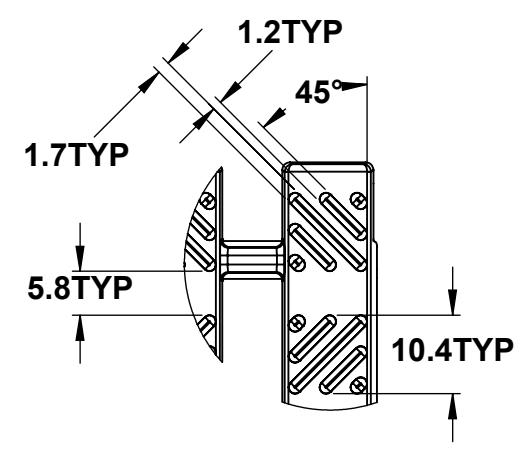
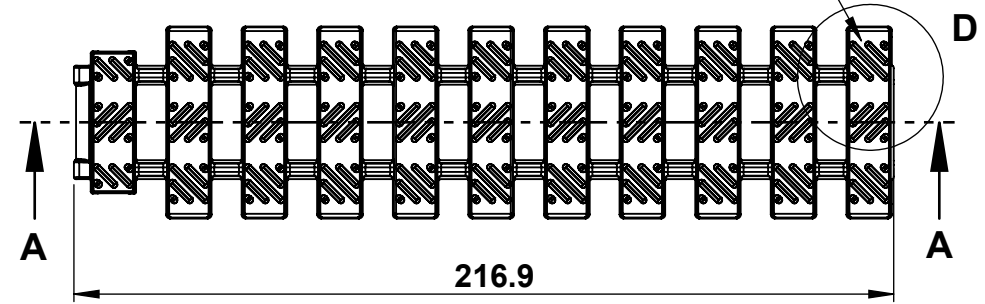


REVISIONS		
ISSUE	DATE	DESCRIPTION
A	09/02/2023	Initial release.
B	30/03/2023	Locating rib added.

TEXTURE PATTERN ON ALL BARS



- NOTES:**
- SEE 3D FILE FOR MORE DETAILS
  - PROVIDE MINIMUM DRAFT ANGLES WHERE REQUIRED
  - APPROXIMATE WEIGHT BASED ON PVC DENSITY OF 1.4g/cc IS 110.8g

COPYRIGHT:  
THIS DOCUMENT IS THE PROPERTY OF  
DALDORADO PTY. LTD. AND IS  
PROVIDED ON AN IN-CONFIDENCE BASIS.  
IT MAY NOT BE COPIED OR REPRODUCED  
WITHOUT THE PRIOR PERMISSION OF  
DALDORADO OR IT'S AUTHORISED AGENT.  
ALL DIMENSIONS IN mm UNLESS  
STATED OTHERWISE

TOLERANCE UNLESS SPECIFIED  
(Injection Moulding)

0 to 10mm	±0.20
11 to 25mm	±0.3
26 to 50mm	±0.4
51 to 120mm	±0.6
121 to 250mm	±1.0
251 to 400mm	±1.3
401 to 500mm	±1.6
501mm AND OVER	±0.35%
ANGULAR	±0°30'

THIRD ANGLE  
PROJECTION  
DO NOT SCALE  
IF IN DOUBT ASK

DRAWN: **G KOTZ**  
DATE: **30 MAR 2023**  
CHECKED: **M TURNER**  
APPROVED: **R LAWSON**  
CLIENT: **R.LAWSON**

VOLUME: **80.6 cc**  
MATERIAL: **PVC**  
FINISH: \_\_\_\_\_ COLOUR: \_\_\_\_\_

ISSUED FOR:  
 REFERENCE  
 PRODUCTION  
 QUOTATION ONLY  
 CLIENT APPROVAL  
 PROTOTYPE  
 PRELIMINARY TOOLING

DESCRIPTION:  
**DPAS-12 Lane Rope Hatch**

FILE NO: **DPAS 12-03-Lane Rope Cover-05-Hatch**

SCALE **1:1**  
SHEET 1 OF 1 **A3**