

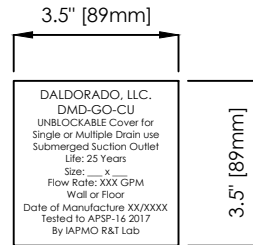
Custom Submerged Grate Only - DMD-GO-CU

LENGTH

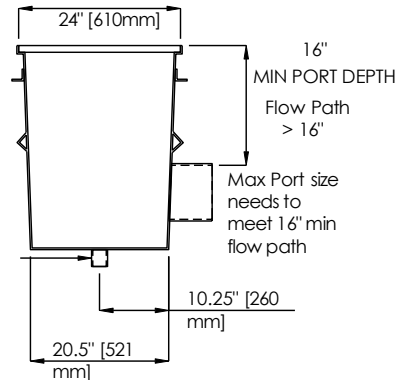


The above grate has been designed and manufactured for use on large area main drains for new or replacement purposes. The 24"x24" grate section is certified by Daldorado LLC to comply with the applicable testing requirements including section 4.7 pressure differential & point load testing. This grate design is then able to be extended in either direction to custom sizes.

These custom grates are for replacement on existing APSP-17 2017 SOFA's and APSP-16 2011 Compliant Sumps, or Registered Design Professional (RDP) certified SOFA's prior to that, or for existing sumps that meet the minimum >16" flow path requirements for each pipe size as defined on the custom grating cut sheet.



**SPECIFICATION PLATE DETAIL
FOR SUCTION GRATES ONLY**



This DMD-GO-CU Grate certified by IAPMO R&T against NSF/ANSI/CAN Standard 50 for Aquatic Facilities. For indoor and outdoor use.
www.IAPMO.com

GRATE: FLAT GRATE FORMED OF UV-STABILIZED MOLDED PVC, CERTIFIED TO APSP/ANSI/ICC-16 2017, NSF/ANSI/CAN 50-2020, AND USPC. CORROSION RESISTANT, NON-CONDUCTIVE, NON-MAGNETIC, DOES NOT REQUIRE BONDING. THE TOP SURFACE OF THE GRATE HAS A TEXTURED DESIGN FOR SLIP RESISTANCE. GRATE SECTIONS ARE 0.625-IN WIDE WITH FIVE (5) INTERLOCKING CONNECTORS. FOUR (4) FRP RODS PER 2-FT SECTION ARE INSERTED AND HELD IN PLACE WITH PVC CAPS FOR LOAD STRENGTH REQUIREMENTS. GRATE IS TESTED UNDER APSP/ANSI/ICC-16 2017 AND COMPLIES WITH ALL APPLICABLE TESTS WITH THE EXCEPTION OF THE VACUUM TEST. SPACE BETWEEN BARS DOES NOT EXCEED 0.375-IN AND PROVIDES 37.5% OPEN AREA FOR UNRESTRICTED WATER FLOW. GRATE WIDER THAN 24-IN REQUIRES ADDITIONAL SUPPORT TO BE INSTALLED BY OWNER/CONTRACTOR. GRATE COMES WITH A 10-YEAR MANUFACTURERS WARRANTY.

INSTALLATION: FOLLOW DALDORADO INSTALLATION INSTRUCTIONS AND WARNINGS SUPPLIED WITH GRATE. GRATE MUST BE INSTALLED USING ONLY THE DFS-FASTSET-MD-CU FASTENERS (316 SS DMD-CLIP, BRASS 1/4"-20x3/8" SQUARE DRIVE PAN HEAD SCREW, AND 316 SS DROP IN ANCHOR) AS SUPPLIED BY DALDORADO. NO OTHERS ARE PERMITTED.

Frame & Grates shall only be installed over sumps that meet or exceed the minimum flow path defined by: maximum pipe size and sump exit orientation, and the minimum pipe depth.

| DMD-GO-CUSTOM SUBMERGED GRATE ONLY | | |
|--|-------|-----------|
| TOTAL GPM | | |
| LENGTH | | INCHES |
| WIDTH | | INCHES |
| PORT DEPTH | | |
| Outlet Port Size | | |
| *WRITE IN OR CIRCLE APPLICABLE INFORMATION | | |
| COLOR | WHITE | BONE GRAY |

All drawing are saved in a *.dwg format and are provided as a service to our customers; dimensions supplied by Daldorado are for reference only. Daldorado or any authorized distributor of our products will not be held responsible from files which have been converted and does not warranty the documents against deficiencies or typographical errors of any kind. All measurements of the actual product must be verified before any custom fabrication in the field occurs. COPYRIGHT: This document is the property of Daldorado, LLC and is provided on an in-confidence basis, it may not be copied or reproduced without the permission of Daldorado or its authorized agent.

| | | |
|------------|-----------------------------|----------------------|
| Product: | Custom Submerged Grate Only | |
| Product #: | DMD-GO-CU | |
| Material: | PVC | Rev Date: 11/15/2024 |
| Color: | PER TABLE | Rev By: Daldorado |

DALDORADO

4327 Arnold Ave, Naples, FL 34104
Phone: 888.509.8128
www.daldorado.com