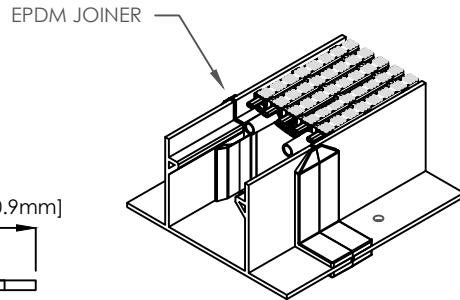
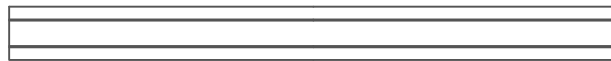


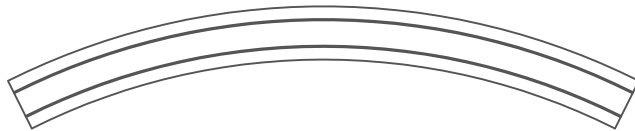
DECK DRAIN SECTION



DECK DRAIN ISOMETRIC



STRAIGHT SECTION



RADIUS SECTION

NOTES

Blank area for notes.

All drawing are saved in a *.dwg format and are provided as a service to our customers; dimensions supplied by Daldorado are for reference only. Daldorado or any authorized distributor of our products will not be held responsible from files which have been converted and does not warranty the documents against deficiencies or typographical errors of any kind. All measurements of the actual product must be verified before any custom fabrication in the field occurs. COPYRIGHT: This document is the property of Daldorado, LLC and is provided on an in-confidence basis, it may not be copied or reproduced without the permission of Daldorado or its authorized agent.

CapSHURE DRAIN SYSTEM: ALL COMPONENTS ARE CORROSION RESISTANT, NON-CONDUCTIVE, NON-MAGNETIC, AND DO NOT REQUIRE BONDING. THE DECK DRAIN IS PROVIDED IN UP TO 8-FT LENGTHS, 4-IN WIDE AND IN EITHER 2-IN OR 4-IN DEPTHS. THE DECK DRAIN IS MADE OF RIGID PVC AND HAS AN 8-IN WIDE FLAT BASE WITH PRE-DRILLED HOLES TO ENABLE THE INSTALLER TO INSERT THREADED BOLTS FOR STABILIZING AND LEVELING PRIOR TO CONCRETE POUR.

RADIUS: CapSHURE DECK DRAIN CAN BE PROVIDED WITH AN INSIDE MINIMUM RADII OF 6-FT.

GRATE: 4-IN PARALLEL GRATE FORMED OF MOLDED PVC (GEORGIA GULF 7140 BY WESTLAKE CORP) MODULAR INTERLOCKING SECTIONS, CERTIFIED NSF/ANSI 50, UV STABILIZED. GRATE OPENING DOES NOT EXCEED 0.315-IN (8MM) AND COMPLIES WITH IBC CHILD FINGER AND TOE ENTRAPMENT GUIDELINES. GRATE SURFACE BARS RUN PARALLEL WITH THE DECK DRAIN BASE AND PROVIDE 40% OPEN AREA FOR UNRESTRICTED WATER FLOW.

JOINER: EPDM JOINERS ARE SUPPLIED FOR JOINING EACH SECTION OR EACH COMPONENT OF DECK DRAIN. THE EPDM JOINER ENSURES NO LEAKS AND ALLOWS FOR THERMAL EXPANSION.

DROP OUT BOX: CapSHURE COLLECTION BOX 12-IN X12-IN X 12-IN FIBERGLASS SUMP WITH MATCHING 12-IN X 12-IN GRATE TO BE SUBMITTED SEPARATELY, IF REQUIRED, AND IN QUANTITIES TO BE PROVIDED BY DESIGNER/INSTALLER PER PROJECT REQUIREMENTS. SEE SEPARATE SUBMITTAL.

CapSHURE ACCESSORIES AND COMPONENTS: SEE SEPARATE SUBMITTALS FOR CapSHURE DECK DRAIN ACCESSORIES AND COMPONENTS, SUCH AS DROP OUT BOXES, END CAPS, BOTTOM OUTLETS, CORNERS, AND TEES.

REMOVABLE CAP: DECK DRAIN BASE IS SHIPPED WITH A REMOVABLE THROW AWAY CAP SUPPLIED TO SUPPORT THE DECK DRAIN DURING THE CONCRETE POUR.

INSTALLATION: FOLLOW DALDORADO INSTALLATION INSTRUCTIONS FOR DECK DRAIN BASE, GRATE, CONNECTORS, JOINERS AND ALL OTHER COMPONENTS ASSOCIATED WITH CapSHURE DECK DRAIN SYSTEM INSTALLATION.

CapSHURE DECK DRAIN PACKAGE			
DRAIN DEPTH	2-IN	4-IN	
STRAIGHT SECTIONS (LINEAL FT)			
RADIUS SECTIONS (LINEAL FT)			
RADIUS (FT)			
GRATE COLOR	WHITE	BONE	GRAY
BASE & EPDM JOINERS COLOR	GRAY		
*NOTE: 6 FEET MINIMUM INSIDE RADIUS			
USE SEPARATE SUBMITTAL FORM FOR CapSHURE DROP OUT BOXES			
WRITE IN OR CIRCLE SELECTIONS			

Product:	CapSHURE Deck Drain System		
Product #:	CapSHURE-R/S		
Material:	PVC	Rev Date:	02/01/2021
Color:	PER TABLE	Rev By:	JW BERGER

DALDORADO

4327 Arnold Ave, Naples, FL 34104
Phone: 888.509.8128
www.daldorado.com