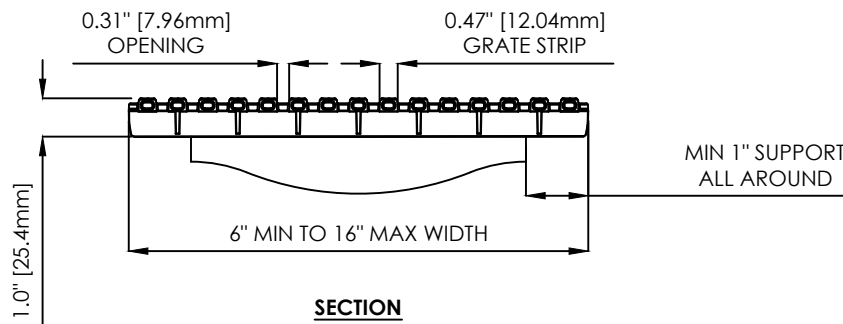


PLAN VIEW



SECTION

GUTTER OUTLET GRATES: ARE NON-CORROSIVE, NON CONDUCTIVE, NON-MAGNETIC AND DO NOT REQUIRE BONDING.

GRATE SIZES: WIDTH MINIMUM 6-INCHES UP TO A MAXIMUM OF 16-IN; LENGTH MINIMUM 6-IN UP TO A MAXIMUM OF 48-IN. GRATE CARRIES A 10-YEAR WARRANTY.

GRATE: DALDORADO PARALLEL GRATE IS FORMED OF MOLDED PVC (GEORGIA GULF 7140 BY WESTLAKE CORP.) MODULAR INTERLOCKING SECTIONS CERTIFIED WITH NSF/ANSI 50, UV STABILIZED AND PROVIDES 40% OPEN AREA FOR UNRESTRICTED WATER FLOW.

FRAME: OPTIONAL - CONSTRUCTED OF UV STABILIZED PVC NOTCHED AND HEAT BENT TO SIZE.

INSTALLATION: THE FRAME OR OUTSIDE EDGES OF THE GRATE MUST BE SUPPORTED ON ALL SIDES AROUND ITS PERIMETER BY A CONCRETE LEDGE OR EQUAL AND INSTALLED USING, ONLY, DALDORADO SUPPLIED HARDWARE PACKAGE DFS-FASTSET-DB (316 SS #10x1 SQUARE DRIVE PAN HEAD SCREW, 316 LARGE CLIP, GREEN PLASTIC ANCHOR) MINIMUM 2 ANCHORS EACH SIDE.

GUTTER OUTLET GRATE NON-SUBMERGED ONLY			
LENGTH - MIN 6-IN, MAX 48-IN			
WIDTH - MIN 6-IN, MAX 16-IN			
QUANTITY			
OPTIONAL FRAME		YES	NO
COLOR	WHITE	GRAY	BONE
*WRITE IN OR CIRCLE APPLICABLE INFORMATION			

All drawing are saved in a *.dwg format and are provided as a service to our customers; dimensions supplied by Daldorado are for reference only. Daldorado or any authorized distributor of our products will not be held responsible from files which have been converted and does not warranty the documents against deficiencies or typographical errors of any kind. All measurements of the actual product must be verified before any custom fabrication in the field occurs. COPYRIGHT: This document is the property of Daldorado, LLC and is provided on an in-confidence basis, it may not be copied or reproduced without the permission of Daldorado or its authorized agent.

Product: Gutter Outlet Grate	
Product #: GOG-FG/GO	
Material: PVC	Rev Date: 02/01/2021
Color: PER TABLE	Rev By: JW BERGER

DALDORADO

4327 Arnold Ave, Naples, FL 34104
 Phone: 888.509.8128
 www.daldorado.com