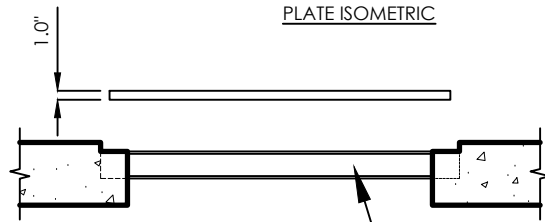
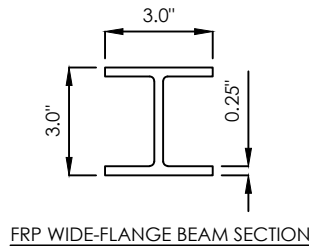


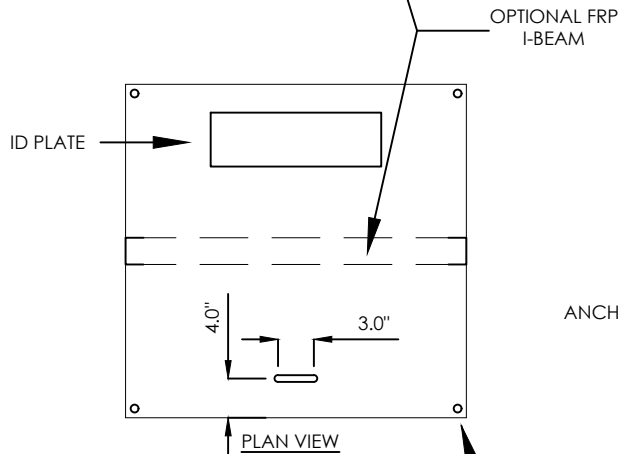
PLATE ISOMETRIC



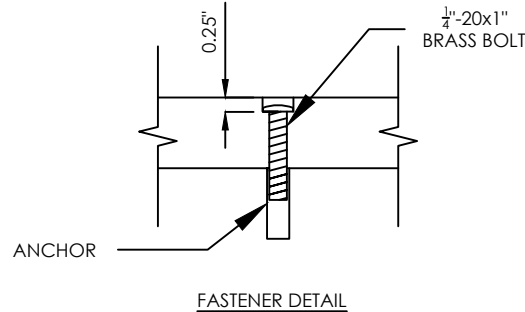
SECTION



FRP WIDE-FLANGE BEAM SECTION



PLAN VIEW



FASTENER DETAIL

OPTIONAL PRE-DRILLED HOLES AND FASTENERS

**ACCESS COVER:** ALL COMPONENTS ARE CORROSIVE RESISTANT, NON-CONDUCTIVE, NON-METALLIC AND DO NOT REQUIRE BONDING. HATCH IS CONSTRUCTED OF 1-IN THICK MARINE GRADE HDPE WITH ATSM 50 SLIP RESISTANT SURFACE.

AN OPTIONAL 3-IN X 3-IN X 1/4-IN FRP I-BEAM ACROSS THE CENTER OF THE OPENING CAN BE SUPPLIED TO PROVIDE STRENGTH AND SUPPORT. FOR ORDERING PURPOSES, THE I-BEAM WILL BE ORIENTED IN THE LENGTH DIRECTION.

**HARDWARE:** OPTIONAL DALDORADO FASTENER SETS (1/4"-20x1" BRASS PHILLIPS DRIVE PAN HEAD SCREWS, 316 SS DROP IN ANCHOR) ARE AVAILABLE TO SECURE THE HATCH. THROUGH HOLES ARE DRILLED AND BOLTS ARE COUNTERSUNK 1/4-IN FROM THE SURFACE OF THE ACCESS COVER. THE PRE-DRILLED HOLES ARE CENTERED 3/4-IN FROM EACH CORNER UNLESS OTHERWISE SPECIFIED BY THE DESIGNER.

**IDENTIFICATION PLATE:** A PLASTIC PLATE TO IDENTIFY THE PURPOSE OF THE COVERED EQUIPMENT IS AVAILABLE AND CUSTOMIZABLE. STANDARD FONT IS 1.5-IN HIGH.

**INSTALLATION:** REFER TO PROJECT DESIGN DOCUMENTS FOR LOCATION AND ADDITIONAL ON-SITE INSTALLATION REQUIREMENTS.

**LIFTING SLOT AND TOOL:** A LIFTING SLOT IS AVAILABLE ON EACH COVER AND A MANHOLE COVER LIFTING TOOL IS AVAILABLE (RECOMMENDED ONE PER FACILITY).

DalCOVER-CU			
LENGTH (MAX = 96-IN)			
WIDTH (MAX = 54-IN)			
LIFTING SLOT & TOOL	YES	NO	
ID PLATE TEXT			
COLOR**	BLACK	DARK GRAY	LIGHT GRAY
FRP WIDE-FLANGE BEAM	YES	NO	
FRP BEAM LENGTH			
FASTENERS	YES	NO	
*WRITE IN OR CIRCLE APPLICABLE INFORMATION			
**OTHER COLORS AVAILABLE UPON REQUEST			

All drawing are saved in a \*.dwg format and are provided as a service to our customers; dimensions supplied by Daldorado are for reference only. Daldorado or any authorized distributor of our products will not be held responsible from files which have been converted and does not warranty the documents against deficiencies or typographical errors of any kind. All measurements of the actual product must be verified before any custom fabrication in the field occurs. COPYRIGHT: This document is the property of Daldorado, LLC and is provided on an in-confidence basis, it may not be copied or reproduced without the permission of Daldorado or its authorized agent.

Product: Daldorado HPDE Access Cover

Product #: DalCOVER-CU

Material: HPDE

Rev Date: 07/20/2022

Color: PER TABLE

Rev By: Daldorado

**DALDORADO**

4327 Arnold Ave, Naples, FL 34104  
Phone: 888.509.8128  
www.daldorado.com