

## PARALLEL CUSTOM GRATE INSTALLATION INSTRUCTIONS

### DPAC 03" TO 30" WIDE

FOR INDOOR AND OUTDOOR USE

CERTIFIED by IAPMO R&T to NSF/ANSI/CAN 50 2025

40% OPEN AREA of unrestricted flow through grating

Read carefully BEFORE installation

Installation Note: Modifying or altering grate without the written consent of Daldorado LLC will void the manufacturer's 10-year warranty.

**Product Numbers: DPAC-03" to 30"**

#### **DPAC: Daldorado Parallel Custom Straight Grate**

Grate is supplied in 2-foot sections ready to install. Always begin installation at a corner, connecting the initial 2-foot section to the Daldorado factory fabricated reinforced corner working clockwise around the perimeter of the pool from corner to corner. Do not attempt to meet in the middle. **Fig-1**

**IMPORTANT:** The horizontal ledge (or lip) must be level and even on both the vertical and horizontal directions. For best results use, **Daldorado PVC Curb Angle**. Minimum ledge (lip) is to be 1.25" wide and 1" in depth from deck surface finish. (1-3/16" in depth if using curb angle)

**NOTE:** If grate is to be sloped, ledge (lip) must correspond across the gutter opening.

Install first Daldorado factory fabricated corner into the gutter going in the clockwise direction. Fasten down with Daldorado supplied 316-SS clips and screws and plastic anchor.

**NOTE:** All corners must be fabricated by Daldorado LLC; If not fabricated by Daldorado, the manufacturer's 10-year warranty is voided. For any corner that is not exactly 45 or 90-degree, Daldorado requires a **rigid material** (*plywood, masonry board preferred; foam board, hard board only when necessary*) template or a Special-Corner-Order-Form (when applicable), for fabrication. Cardboard and other bendable materials are not acceptable. Templates must be cut to fit the corner in the same manner and shape as the grate; templates must be cut accurately and without jagged edges. Templates must be accompanied with a numbered pool plan corner location map showing the direction of the grate connector pins and marked with the number corresponding with the pool plan. The pool side, the deck side, the top, and the bottom, to ensure the fabricated corner is properly oriented.

Begin laying the grate into the gutter starting at the corner. DO NOT hammer the grate sections into each other and leave a small gap for thermal expansion between each section. The grate is designed to fit together "hand tight". Fastening is only required at 10-foot intervals. Design Professionals and/or Building Inspectors may require more frequent fastening per design specifications.

# DALDORADO

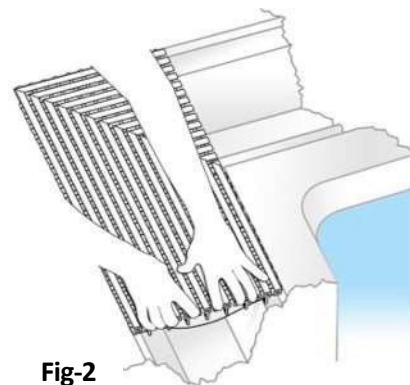
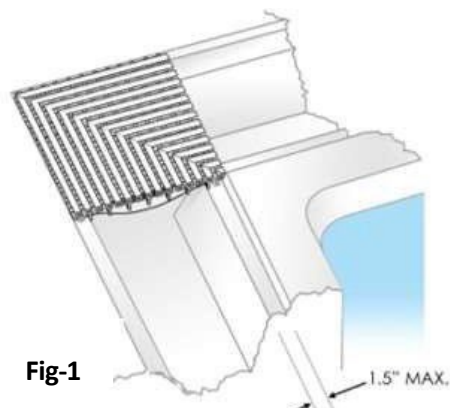
When installing the grate, a 1/16" expansion joint should be provided at each corner and approximately every 4 to 6-feet thereafter to allow for thermal expansion and contraction due to weather temperature fluctuations. If a gutter drop-out access point is required, calculate position ahead of installation, as this should be used as an ideal position to place an expansion joint. When a chosen position for either an access section or for an additional expansion joint, cut off the male pins cleanly from the side of the removable section of grate. Leave a 1/16" gap before installing the next section. Fasten down both sides of the access section to eliminate possible tampering. To access under the grate, remove the fasteners and using tools, lift out the section of grate. In hotter environments, increase the gap to 1/8" for thermal expansion. **Fig-3**

## **Cleaning and Maintenance:**

To keep the grate looking new, the grate must be maintained free of debris. A mild detergent with water and a brush will keep stains from occurring. DO NOT acid wash with harsh chemicals.

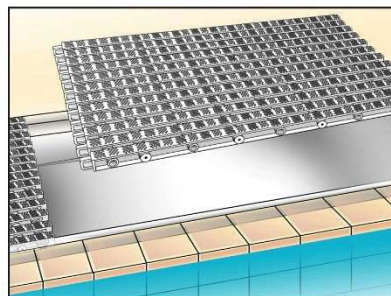
Regularly inspect the fasteners to ensure that the grate is properly secured to avoid any possible injuries.

**INSTALLATION:** Begin installation at a corner,



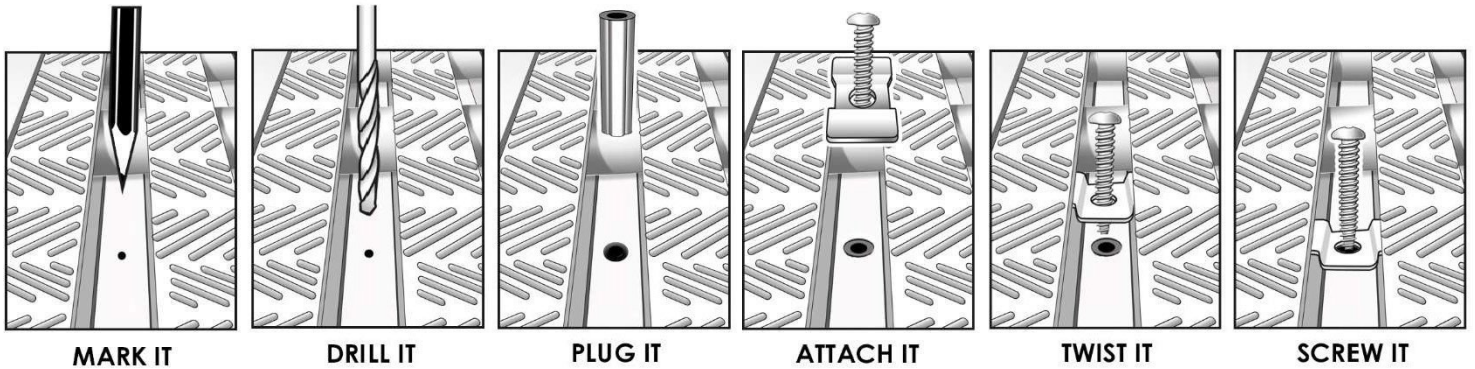
## **ACCESS POINT:**

**Fig-3**



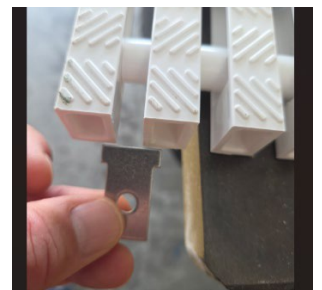
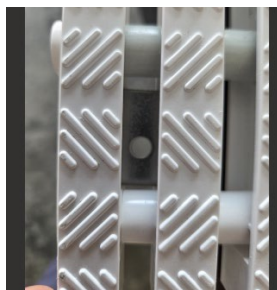
# DALDORADO

## FIXING DALDORADO-DPAC GRATE



### **DPAC: Daldorado Parallel Custom Straight Grate Fixing Process:**

Follow the above illustrated process step by step for fixing each section of DPAC grate using the screws and clips as provided by Daldorado.



DALDORADO, LLC., 2900 S HORSESHOE DR #300, NAPLES, FL. 34104

For Inquiries or Assistance please call: (888)-509-8128



This DPAC Grate certified by IAPMO R&T against NSF/ANSI/CAN Standard 50 for Aquatic Facilities. For indoor and outdoor use.  
[www.IAPMO.com](http://www.IAPMO.com)