



DALDORADO

CapSHURE DECK DRAIN PACKAGE INSTALLATION INSTRUCTIONS

FOR INDOOR AND OUTDOOR USE
CERTIFIED by IAPMO R&T to NSF/ANSI/CAN 50 2025
40% OPEN AREA of unrestricted flow through grating

Read carefully BEFORE installation

Product Reference: CapSHURE-DDD-Deck-Drain
CapSHURE-DDD-12x12x12-Drop-Out-Box

DO NOT mishandle, drop, or throw CapSHURE deck drain base, cap or any of its components as this may cause cracks or breaks. Misuse or mishandling is not covered by warranty.

Safe Cutting of CapSHURE-DDD-Deck Drain base and cap:

1. Mark deck drains to the desired length, including allowing space for the soft PVC joiner. **Fig-5.**
2. Install the cap before cutting to avoid splintering.
3. Use a 12-inch, 80-tooth minimum chop saw at maximum speed.
4. Cut slowly through base and cap.
5. Always wear safety glasses when cutting.

INSTALLATION METHOD(S):

Installing CapSHURE Deck Drain Base

1. Pre-Installed Paving Preparation

- Trough opening must be at least **10 inches wide**. Depth depends on paving thickness.
- If using threaded rods and lock nuts (not supplied by Daldorado) for leveling, a deeper trough may be required.
- Drive rods through the **predrilled holes** in the deck drain base into the solid sub-base to stabilize during the concrete pour (Fig-1).

2. New Paving Preparation

- Predetermine preferred method of leveling and stabilization.
- Reinforcement or utility conduits should pass below.
- Set deck drain sections on supports (channels or dobbies) at each end and corner.
- Extend 3/8" bolts, threaded rod or #3 rebar through the predrilled holes into sub-base for stabilization.
- Concrete slurry sub-base may be required if native sub-base is unstable (Fig-1).

3. Connecting Sections

- Begin at an end or corner.
- Connect base pieces with soft PVC joiners (Fig-5).
 - **OPTIONALLY** add marine grade silicone (like E-6000) to connections for additional waterproofing.
- Install gravity storm/sewer drop-out where required by design/site.
- Each drop-out or corner req. 2 soft PVC joiners (one per side) for connection (Fig-3&5).
- End Caps are glued to the end of the channel using PVC cement.

DALDORADO

4. Protecting Base, Before Pour

- Replace disposable cap into the base before concrete pour.
- Not replacing cap may cause narrowing and prevent proper grate fit.

5. Concrete Placement

- Once level and capped, pour concrete slowly around the deck drain.
- Gently vibrate to fill voids.
- Finish per design specs.
- While wet, clean off concrete from cap and edges.
- Float along both sides of base to prevent chipping when dried and cap is removed.

Installing CapSHURE 4-Inch Radius Grating: DPAR-04

Package Contents:

- Parallel radius grate in two parts: (1) radial supports, (2) curve strips
- Hardware: DFS-FASTSET-DD (316-SS clips and #8 316-SS screws)

Method:

- 1. Begin at a corner, set radial supports into base.**
 - Leave 1/16" break for thermal expansion.
 - On tight radii, shave inside male pins as needed.
 - Fasten supports every 4 ft alternating sides (Fig-2).
- 2. Curve strips (24" each) connect via male/female joints.**
 - Assemble 3–4 at a time, snap into place by hand.
 - Leave 1/16" gap for expansion every 4-ft
 - Do NOT hammer.
- 3. Cutting:** For corners or transitions, tape and mark strips, cut with fine-tooth saw (40+ teeth) at full speed.
 - Wear safety glasses.
 - Sand sharp edges before install (Fig-3 & Fig-4).

Cleaning & Maintenance

- Keep grating free of debris.
- Clean with mild detergent, water, and a brush.
- DO NOT acid wash or use harsh chemicals.
- Regularly inspect fasteners to ensure proper securement and prevent injury.

Installing CapSHURE 4-Inch Straight Grating: DPAS-04

Package Contents:

- (Box 1) Parallel Grate solid form in 12"x 4" Pieces
- (Box 2) Fastener Grate solid form in 12"x 4" Pieces, with two predrilled holes on opposite ends
- (Box 2) Hardware: #6 - 1¼" 316-SS screws, 2 per F.G.

Method:

- 1. Positioning**
Place grating over CAPSHURE-BASE, ensuring full ledge contact.
- 2. Fastener Grates**
Install supplied predrilled fastener grates & attach every 3rd space (~3 ft). Leave 1/16" gap every 3-ft for thermal expansion.
- 3. Drilling**
No additional pre-drilling required.
- 4. Fastening**
Install provided self-tapping screws through predrilled fastener grates into CAPSHURE-BASE.
- 5. Verification**
Confirm alignment and secure seating along full length before continuing.

DALDORADO

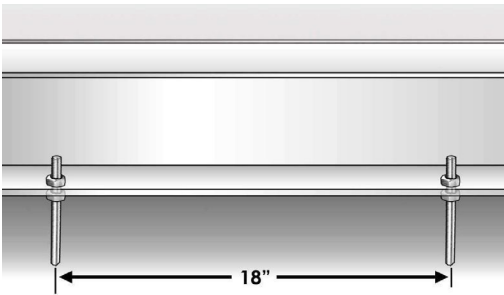


Fig-1

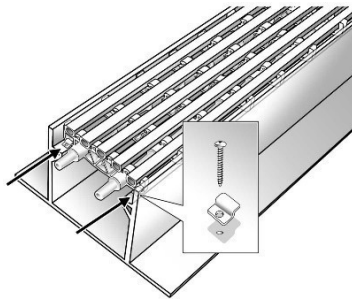


Fig-2

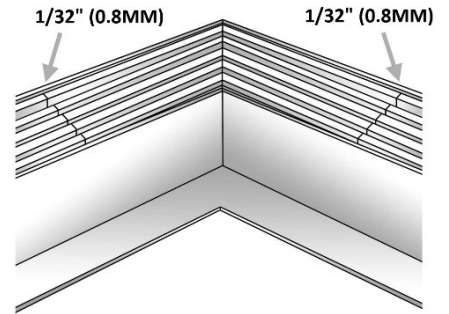


Fig-3

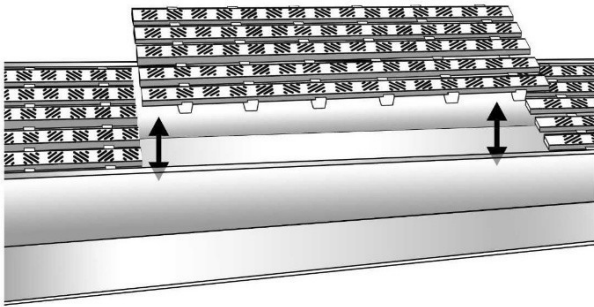


Fig-4

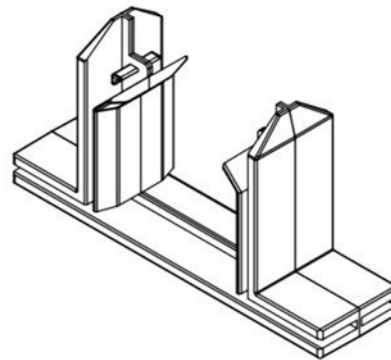


Fig-5

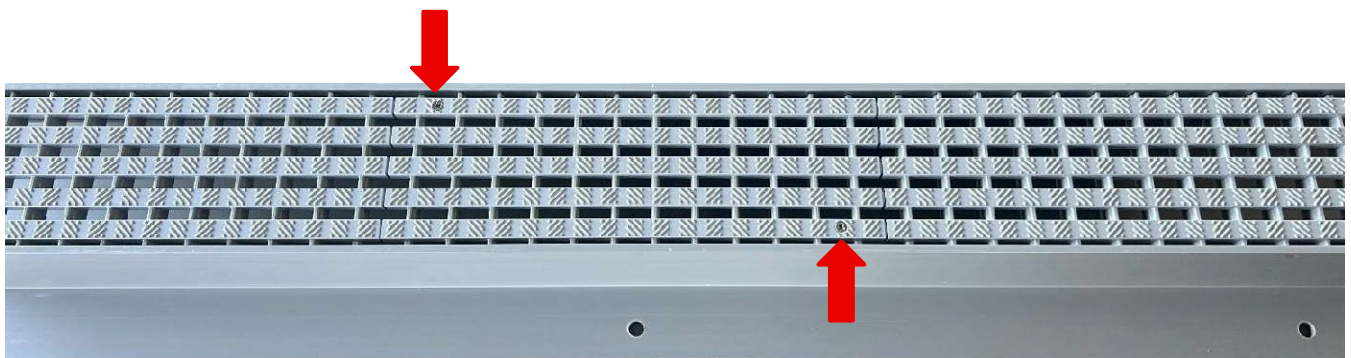


Fig-6

DALDORADO, LLC.,

2900 S Horseshoe Dr #300, NAPLES, FL. 34104

For Inquiries or Assistance please call: (888)-509-8128