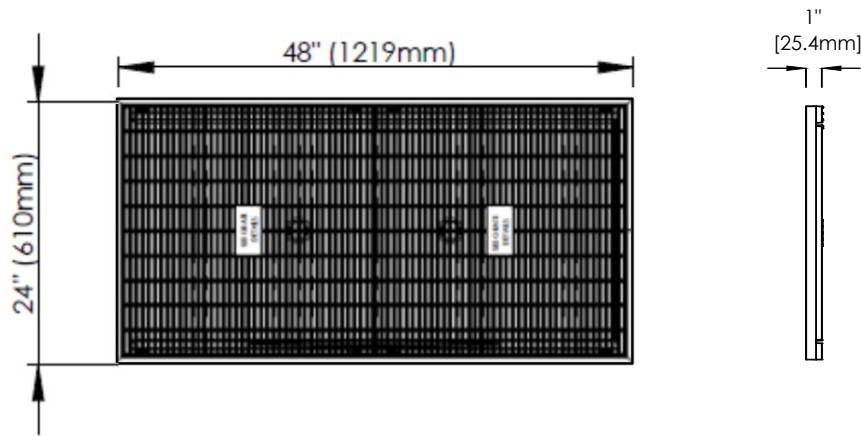
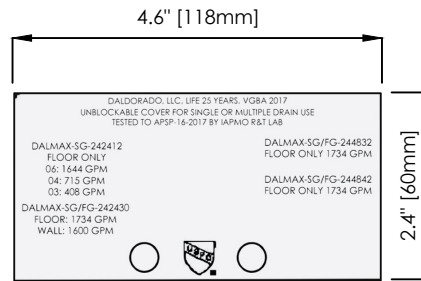
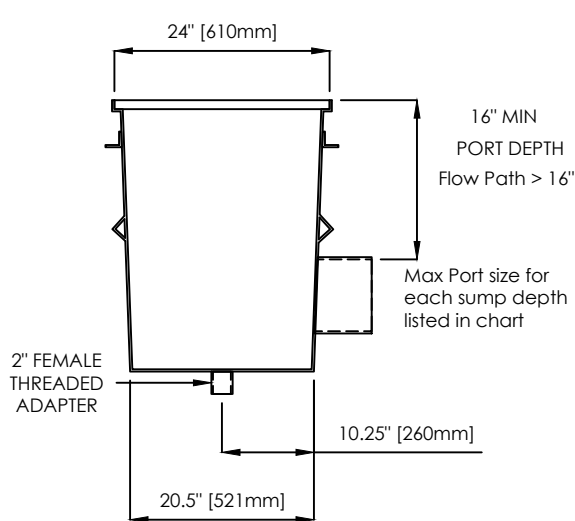


DalMAX 24x48 Grate Only - DalMAX-GO-2448



GRATE: FLAT GRATE FORMED OF UV-STABILIZED MOLDED PVC, CERTIFIED TO APSP/ANSI/ICC-16 2017, NSF/ANSI/CAN 50-2020, AND USPC. CORROSION RESISTANT, NON-CONDUCTIVE, NON-MAGNETIC, DOES NOT REQUIRE BONDING. THE TOP SURFACE OF THE GRATE HAS A TEXTURED DESIGN FOR SLIP RESISTANCE. GRATE SECTIONS ARE 0.20-IN (5MM) WIDE AND 1-IN (25.4MM) AVG. DEPTH FOR LOAD STRENGTH REQUIREMENTS. SPACE BETWEEN GRATE BARS DOES NOT EXCEED 0.39-IN (10MM). GRATE PROVIDES A MINIMUM 62% OPEN AREA FOR UNRESTRICTED WATER FLOW. THE MANUFACTURE DATE AND MARKING REQUIRED BY STANDARDS IS MOLDED INTO THE GRATE.

INSTALLATION: FOLLOW DALDORADO INSTALLATION INSTRUCTIONS AND WARNINGS SUPPLIED WITH GRATE UNIT. GRATE MUST BE INSTALLED WITHIN THE EXISTING FRAME OR ON THE CONCRETE LEDGE USING ONLY THE BRASS 1/4"-20x1.25" MACHINE SCREWS, TESTED TO APSP/ANSI/ICC-16 2017, INTO 316-SS DROP IN ANCHORS, AS SUPPLIED BY DALDORADO. NO OTHERS ARE PERMITTED.



SPECIFICATION PLATE DETAIL

Frame & Grates shall only be installed over sumps that meet or exceed the minimum flow path defined by: maximum pipe size and sump exit orientation, and the minimum pipe depth.

CERTIFIED MAXIMUM FLOW RATES FOR FIELD FABRICATED SUMPS:	
24x48x34 FIELD FABRICATED SUMP WITH MAX 16" SIDE PORT COMPLIANT REQUIREMENTS SET FORTH BY APSP/ANSI/ICC-16 2017 STANDARD.	FLOOR - 6456 GPM WALL - N/A FLOW PATH > 16"
24x48x42 FIELD FABRICATED SUMP WITH MAX 24" SIDE PORT COMPLIANT REQUIREMENTS SET FORTH BY APSP/ANSI/ICC-16 2017 STANDARD.	FLOOR - 6456 GPM WALL - N/A FLOW PATH > 16"



This DALMAX-FG-2448 Grate certified by IAPMO R&T against NSF/ANSI/CAN Standard 50 for Aquatic Facilities. For indoor and outdoor use. www.IAPMO.com

GRATING: 25 YEAR SERVICE LIFE/10 YEAR WARRANTY

All drawing are saved in a *.dwg format and are provided as a service to our customers; dimensions supplied by Daldorado are for reference only. Daldorado or any authorized distributor of our products will not be held responsible from files which have been converted and does not warranty the documents against deficiencies or typographical errors of any kind. All measurements of the actual product must be verified before any custom fabrication in the field occurs. COPYRIGHT: This document is the property of Daldorado, LLC and is provided on an in-confidence basis, it may not be copied or reproduced without the permission of Daldorado or its authorized agent.

Product: DalMAX 24x48 Grate Only	
Product #: DalMAX-GO-2448	
Material: PVC	Rev Date: 05/26/2026
Color: PER TABLE	Rev By: Daldorado

DALDORADO

2900 S Horseshoe Dr #300, Naples, FL 34104 Phone: 888.509.8128 www.daldorado.com