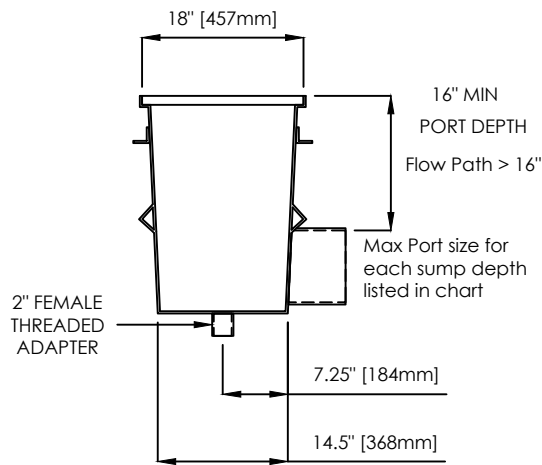
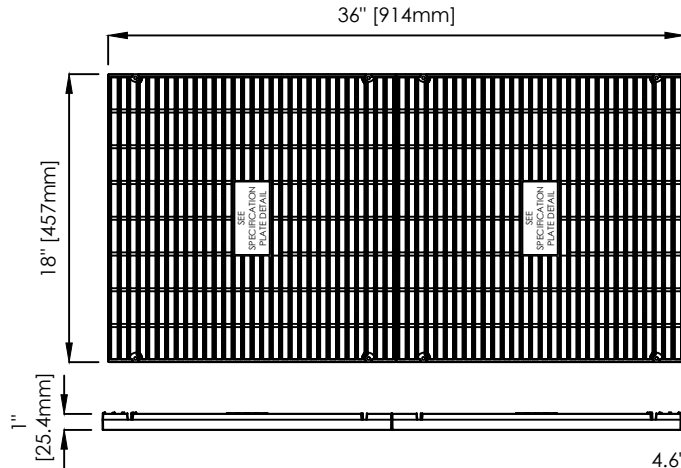
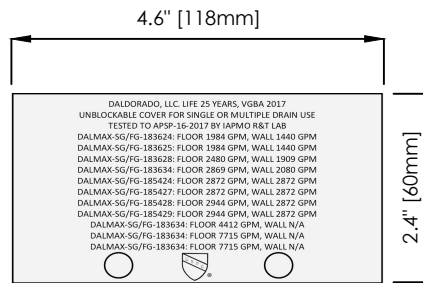


DalMAX 18x36 Grate Only -DalMAX-GO-1836



GRATING: 25 YEAR SERVICE LIFE/10 YEAR WARRANTY



SPECIFICATION PLATE DETAIL

This DALMAX-FG-1836 Grate certified by IAPMO R&T against NSF/ANSI/CAN Standard 50 for Aquatic Facilities. For indoor and outdoor use. www.IAPMO.com



GRATE: FLAT GRATE FORMED OF UV-STABILIZED MOLDED PVC, CERTIFIED TO APSP/ANSI/ICC-16 2017, NSF/ANSI/CAN 50-2020, AND USPC. CORROSION RESISTANT, NON-CONDUCTIVE, NON-MAGNETIC, DOES NOT REQUIRE BONDING. THE TOP SURFACE OF THE GRATE HAS A TEXTURED DESIGN FOR SLIP RESISTANCE. GRATE SECTIONS ARE 0.20-IN (5MM) WIDE AND 1-IN (25.4MM) AVG. DEPTH FOR LOAD STRENGTH REQUIREMENTS. SPACE BETWEEN GRATE BARS DOES NOT EXCEED 0.39-IN (10MM). GRATE PROVIDES A MINIMUM 62% OPEN AREA FOR UNRESTRICTED WATER FLOW. THE MANUFACTURE DATE AND MARKING REQUIRED BY STANDARDS IS MOLDED INTO THE GRATE.

GRATES MUST BE PURCHASED AND INSTALLED IN MULTIPLES ONLY FOR SUBMERGED APPLICATIONS; A SINGLE GRATE IS BLOCKABLE AND NOT VGBA 2017 COMPLIANT.

INSTALLATION: FOLLOW DALDORADO INSTALLATION INSTRUCTIONS AND WARNINGS SUPPLIED WITH GRATE UNIT. GRATE MUST BE INSTALLED WITHIN THE EXISTING FRAME OR ON THE CONCRETE LEDGE USING ONLY THE BRASS 1/4"-20x1.25" MACHINE SCREWS, TESTED TO APSP/ANSI/ICC-16 2017, INTO 316-SS DROP IN ANCHORS, AS SUPPLIED BY DALDORADO. NO OTHERS ARE PERMITTED.

DalMAX-GO-1818 MUST BE USED IN MULTIPLES CANNOT BE USED AS SINGLE 18"x18" GRATE

CERTIFIED MAXIMUM FLOW RATES FOR FIELD FABRICATED SUMPS:

Frame & Grates shall only be installed over sumps that meet or exceed the minimum flow path defined by: maximum pipe size and sump exit orientation, and the minimum pipe depth.

18x36x25 FIELD FABRICATED SUMP WITH MAX 8" OUTLET COMPLIANT TO REQUIREMENTS SET FORTH BY APSP-16 2017 (VGBA) STANDARD.
FLOOR-1984 GPM WALL-1440 GPM FLOW PATH > 16"

18x36x28 FIELD FABRICATED SUMP WITH MAX 10" OUTLET COMPLIANT TO REQUIREMENTS SET FORTH BY APSP-16 2017 (VGBA) STANDARD.
FLOOR-2480 GPM WALL-1909 GPM FLOW PATH > 16"

18x36x34 FIELD FABRICATED SUMP WITH MAX 12" OUTLET COMPLIANT TO REQUIREMENTS SET FORTH BY APSP-16 2017 (VGBA) STANDARD.
FLOOR-2869 GPM WALL-2080 GPM FLOW PATH > 16"

All drawing are saved in a *.dwg format and are provided as a service to our customers; dimensions supplied by Daldorado are for reference only. Daldorado or any authorized distributor of our products will not be held responsible from files which have been converted and does not warranty the documents against deficiencies or typographical errors of any kind. All measurements of the actual product must be verified before any custom fabrication in the field occurs. COPYRIGHT: This document is the property of Daldorado, LLC and is provided on an in-confidence basis, it may not be copied or reproduced without the permission of Daldorado or its authorized agent.

Product:	DalMAX 18x36 Grate Only	
Product #:	DalMAX-GO-1836	
Material:	PVC	Rev Date: 05/26/2026
Color:	WHITE	Rev By: Daldorado

DALDORADO

2900 S Horseshoe Dr #300, Naples, FL 34104 Phone: 888.509.8128 www.daldorado.com