

## FIBERGLASS GUTTER SYSTEM:

THE DALGUTTER SYSTEM IS CONSTRUCTED USING MULTIPLE LAYERS OF PREMIUM FIBERGLASS AND RESIN WITH A SMOOTH GEL COAT INTERIOR FINISH.

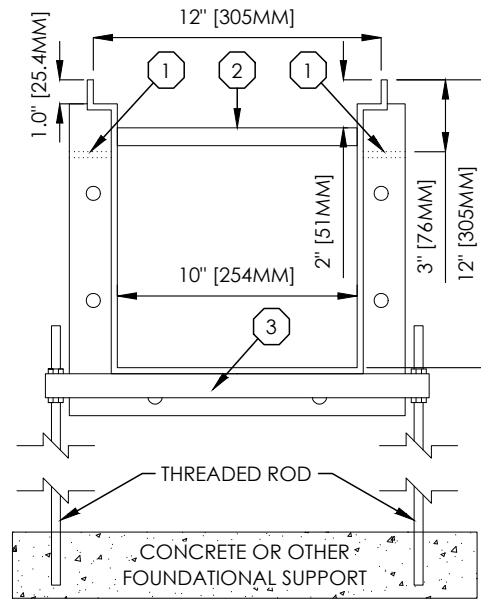
- a. BUILT IN SECTIONS UP TO 8-FT
- b. CAN BE PROVIDED STRAIGHT OR IN CUSTOM RADII
- c. RADII CAN BE DOWN TO A 6-FT INSIDE DIAMETER.
- d. 12-IN SIZE ACCOMMODATES A 1-IN THICK BY 12-IN WIDE GRATE THAT'S 12-IN LONG. ON A 10-IN WIDE, 12-IN DEEP GUTTER.

### ITEMS

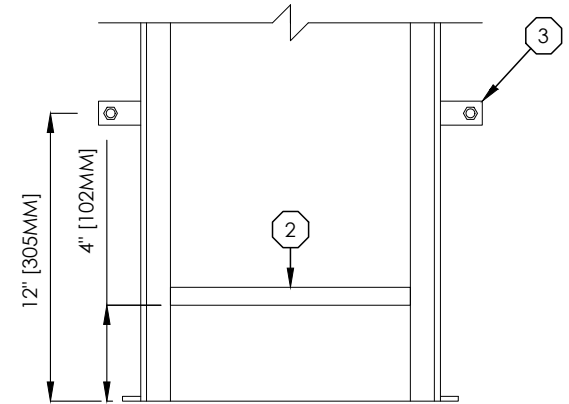
1. WATER STOP: 1½" FIBERGLASS INSTALLED ON THE EXTERIOR (BOTH SIDES) LOCATED 3-IN BELOW THE TOP OF THE GUTTER LIP.
2. STABILIZER: HDPE ¾"X¾" OR ¾"X1" OR 1"X1", PLACED 2" DOWN FROM TOP LIP & SET 4" FROM ENDS OR EVERY 24" OR LESS. SECURED WITH 316-SS SCREWS ON EITHER END.
3. LEVELING UNI-STRUT: GLASSED ONTO THE BASE OF THE GUTTER. PLACED 12" FROM ENDS & EVERY 36" OR LESS.
4. 316-SS BOLTS, NUTS, AND WASHERS ARE SUPPLIED TO JOIN SECTIONS AT END FLANGES.

A TO-SCALE CAD DRAWING (.DWG FILE) SHALL BE PROVIDED TO ENSURE THE GUTTER IS BUILT TO SPECIFIED GEOMETRY.

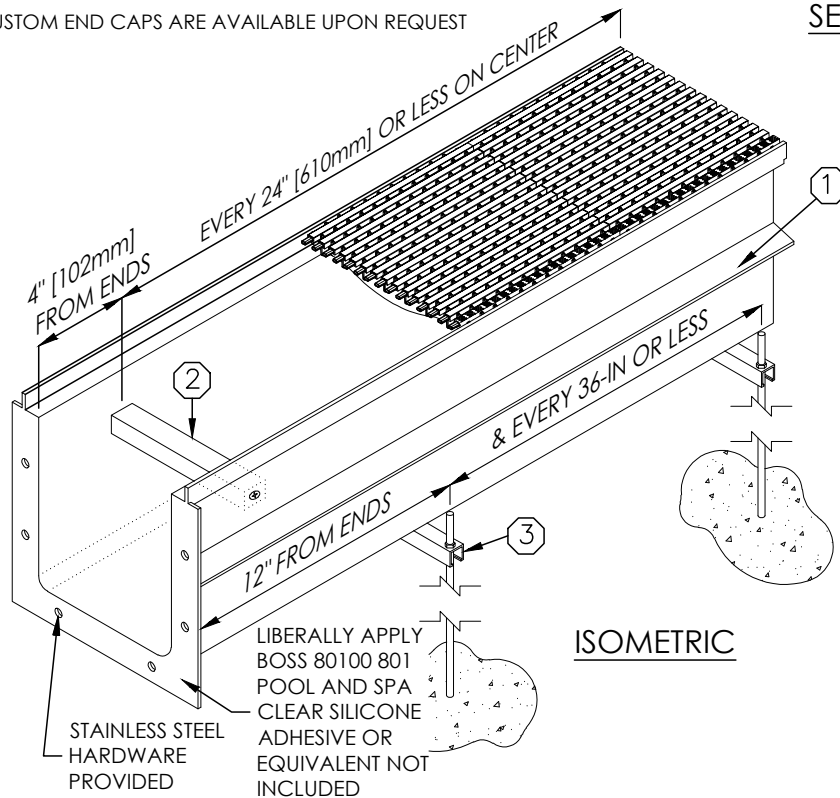
\*\* CUSTOM END CAPS ARE AVAILABLE UPON REQUEST



SECTION VIEW



PLAN/TOP VIEW



ISOMETRIC

DalGUTTER-ST				
FIBERGLASS SUPPLIED LENGTH	8-FT			
GUTTER WIDTH AND DEPTH	12-IN X 12-IN			
GRATE AND GEL COAT COLOR	WHITE	GRAY	BONE	BLACK
CORNERS AVAILABLE	90-DEG	45-DEG	SPECIAL	
DROP SIZES AVAILABLE	1"	1½"	2"	3" 4" 6"



Gutter grating is certified by IAPMO R&R against NSF/ANSI/CAN Standard 50 for Aquatic Facilities. For indoor and outdoor use.  
www.IAPMO.com

Product:	Fiberglass Gutter System		
Product #:	DalGUTTER-ST		
Material:	G.G. & PVC	Rev Date:	06/04/2026
Color:		Rev By:	RJG

**DALDORADO**

2900 Horseshoe Dr S, Naples, FL 34104  
Phone: 888.509.8128  
www.daldorado.com