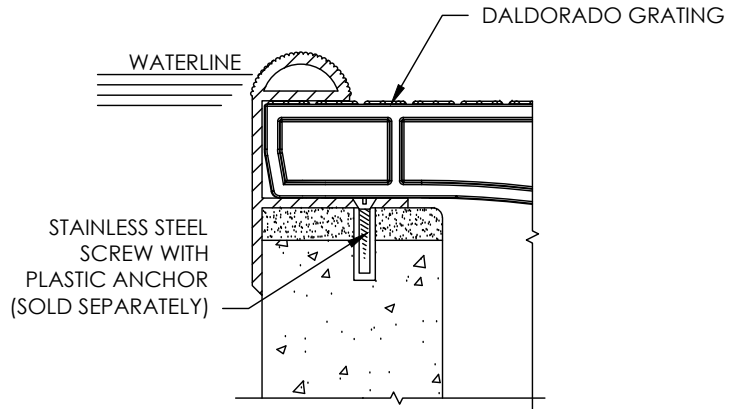
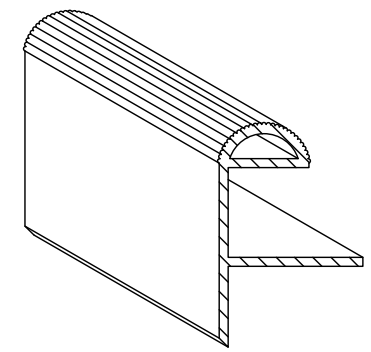


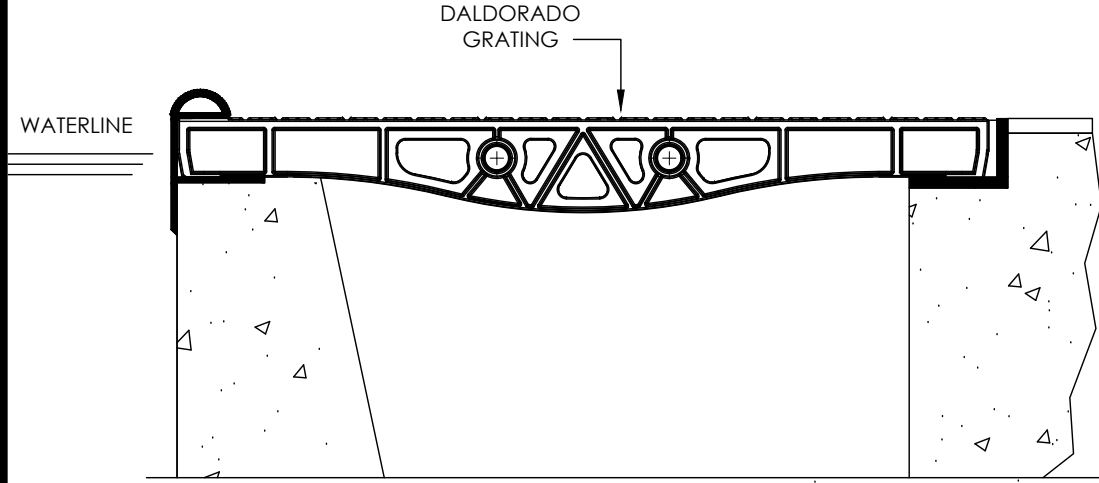
END VIEW



FASTENING DETAIL



ISOMETRIC VIEW



ELEVATION VIEW

HANDHOLD: CONSTRUCTED OF EXTRUDED UV-STABILIZED PVC. ALL MATERIAL IS NON-CORROSIVE, NON-CONDUCTIVE, AND DOES NOT REQUIRE BONDING. DALDORADO HAND HOLD IS DESIGNED TO BE USED IN CONJUNCTION WITH DALDORADO DPAS, DPAR, DPAC, AND DPE GRATING.

INSTALLATION: SECURE HANDHOLD TO POOL PERIMETER GUTTER EDGE AT 12-IN INTERVALS WITH SUPPLIED FASTENER SET DFS-FASTSET-ET (#10X1" PHILLIPS FLAT HEAD 316 SS SCREW, GREEN PLASTIC ANCHOR).

DALDORADO HANDHOLD - DHH	
LINEAR FEET	
STRAIGHT	
COLOR	WHITE BONE
*WRITE IN OR CIRCLE APPLICABLE INFORMATION	

All drawing are saved in a *.dwg format and are provided as a service to our customers; dimensions supplied by Daldorado are for reference only. Daldorado or any authorized distributor of our products will not be held responsible from files which have been converted and does not warranty the documents against deficiencies or typographical errors of any kind. All measurements of the actual product must be verified before any custom fabrication in the field occurs. COPYRIGHT: This document is the property of Daldorado, LLC and is provided on an in-confidence basis, it may not be copied or reproduced without the permission of Daldorado or its authorized agent.

Product: Daldorado Handhold	
Product #: DHH	
Material: PVC	Rev Date: 05/08/2026
Color: PER TABLE	Rev By: RJG

DALDORADO

2900 Horseshoe Dr. S, Naples, FL 34104
 Phone: 888.509.8128
 www.daldorado.com